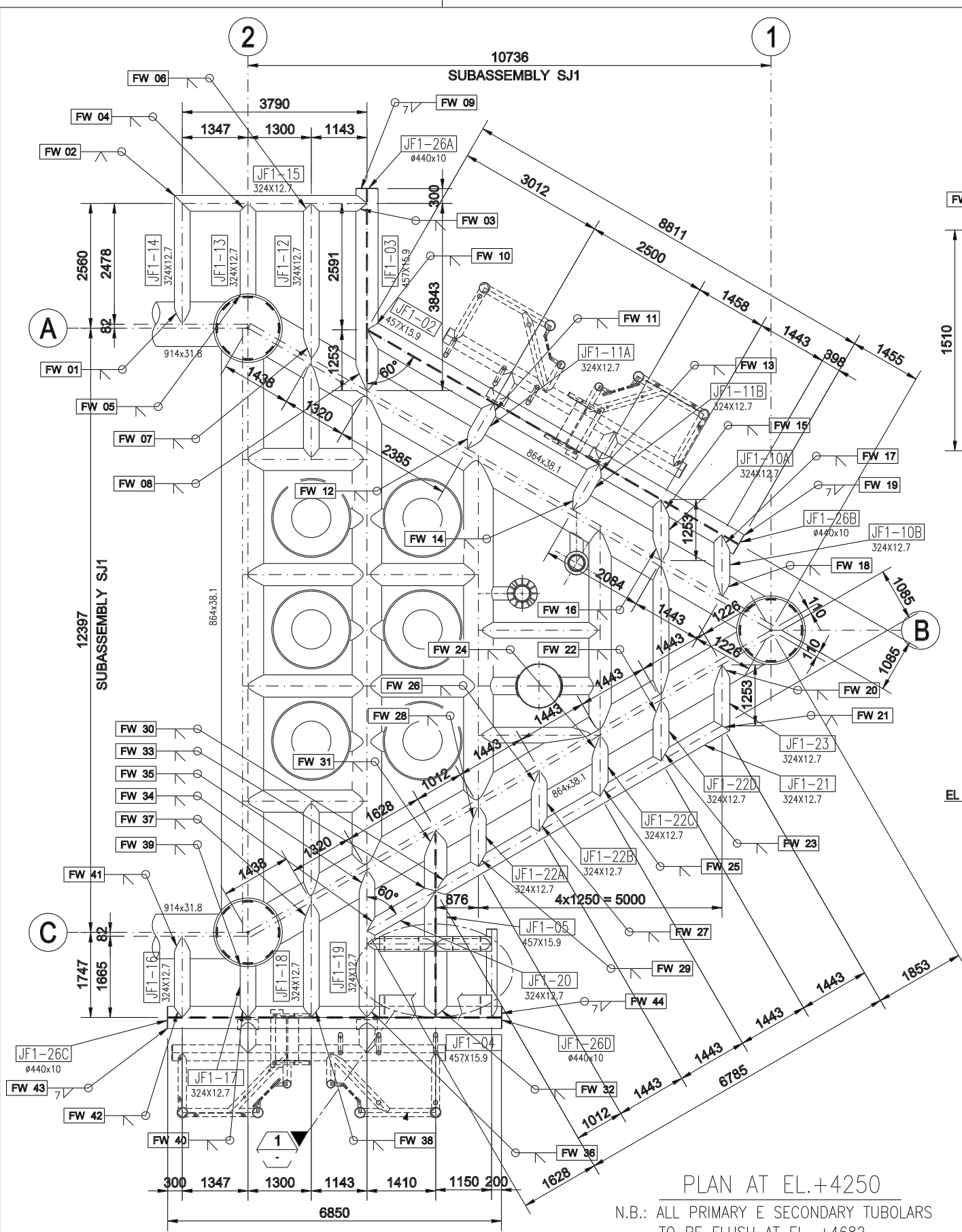
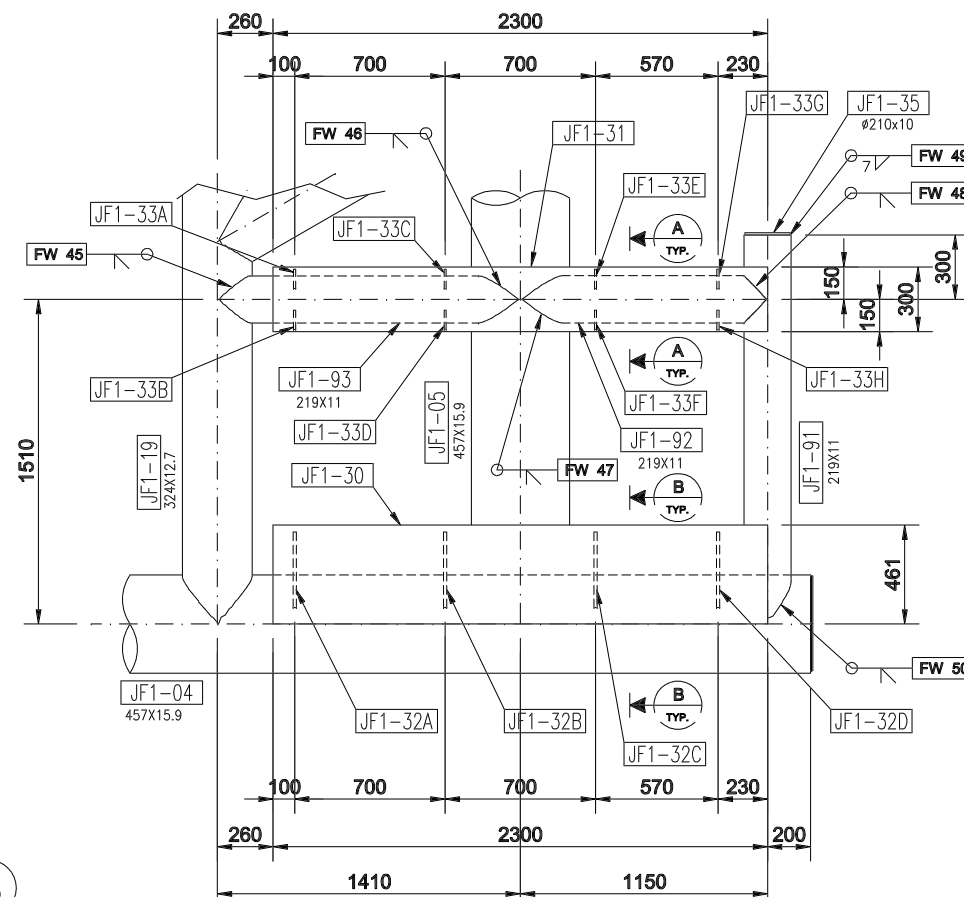


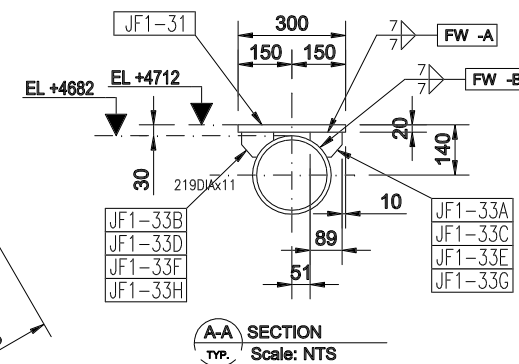
This drawing and the design it covers are the property of PETROMAR. They are merely loaned and on the borrower's express agreement that they will not be reproduced, copied, loaned, exhibited, nor used except in the limited way and private use permitted by any written consent given by the lender to the borrower.



PLAN AT EL.+4250
N.B.: ALL PRIMARY & SECONDARY TUBULARS TO BE FLUSH AT EL. +4682

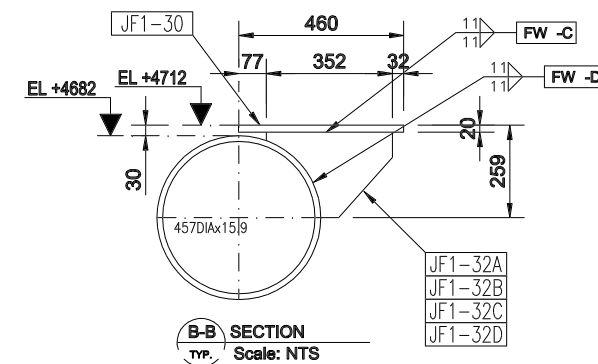


1 DETAIL
Scale: NTS



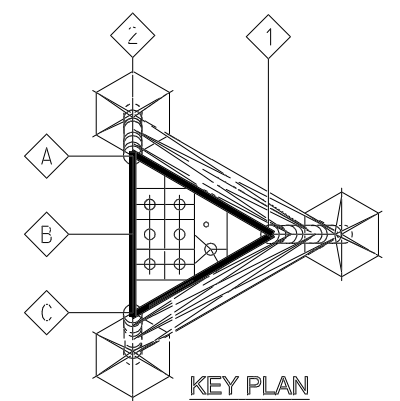
A-A SECTION
Scale: NTS

MARKS	WELDS	
	A	B
JF1-33A	FW51	FW52
JF1-33B	FW53	FW54
JF1-33C	FW55	FW56
JF1-33D	FW57	FW58
JF1-33E	FW59	FW60
JF1-33F	FW61	FW62
JF1-33G	FW63	FW64
JF1-33H	FW65	FW66



B-B SECTION
Scale: NTS

MARKS	WELDS	
	A	B
JF1-32A	FW67	FW68
JF1-32B	FW69	FW70
JF1-32C	FW71	FW72
JF1-32D	FW73	FW74



KEY PLAN

NOTES

- ALL DIMENSIONS ARE IN MILLIMETRES U.N.O.
- ALL ELEVATIONS ARE REFERRED TO MEAN LOW WATER (M.L.W.) ± 0.00 m.
- THE SYMBOL FWxx INDICATES WELDS TO BE PERFORMED IN FIELD
- WELD NUMBER: FW01 - FW74
- LONGITUDINAL WELD N.S.
- LONGITUDINAL WELD F.S.

REF. DOC. N°	REV	REFERENCE DOCUMENT TITLE	Rev.	Date DD-MM-YY	Revision Description	ICV	NAR	MMF	ADV/DMOI
AO-042-SC-070-039045	02	JACKET- PLAN AT EL.+4250-WALKWAY FRAMING		05-MAR-09	APPROVED FOR CONSTRUCTION				
AO-042-SC-070-039046	02	JACKET- PLAN AT EL.+4250-WALKWAY FRAMING DETAILS							

Scale: N.T.S.

Original Paper size: A3

Plotter: A1, A3

Company: TOTAL E&P ANGOLA ANGOLA - BLOCK 17

Project name: BLOCK 2 SINGLE CENTRAL PLATFORM (SCP)

Company's contract N°: N/A

Product: N/A

Type of document: DRAWING

Company's document identification: -

Contractors: **Eni** **Saipem s.a.** **Petromar**

Document title: JACKET ASSEMBLY PLAN AT EL.+4250

Job N°	Origin	Unit	Discipline	Doc. Type	Seq. Num.	Sheet	Rev.
F33099	PTM	100	STR	ASD	1200	1-9	1